



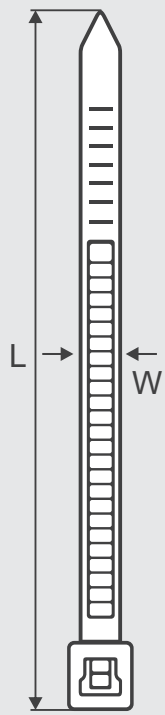
LOCKWELLTM

INDUSTRIES

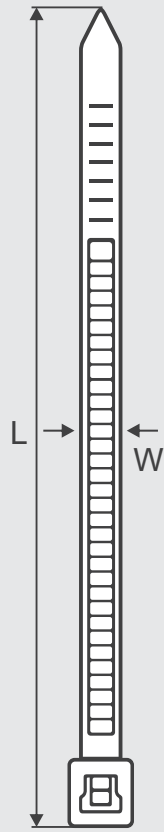
PRODUCT
CATALOGUE

NYLON CABLE TIE

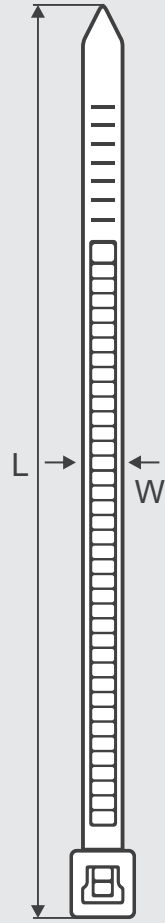
LINE DRAWING



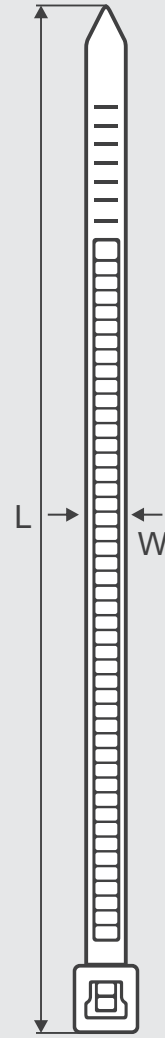
100 Length



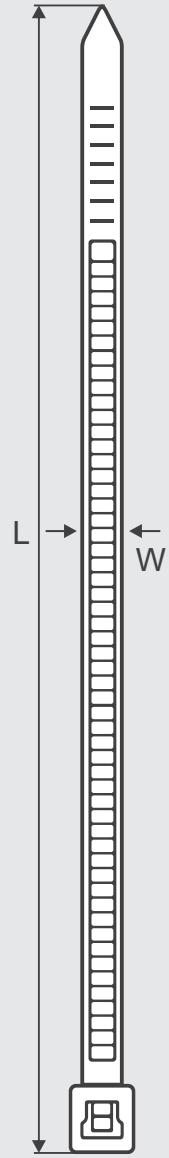
150 Length



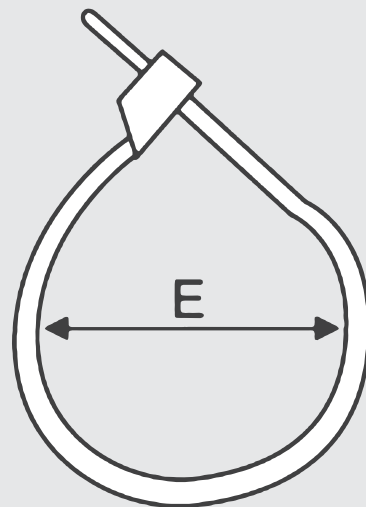
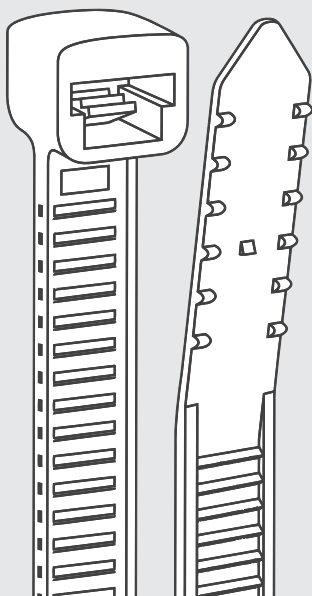
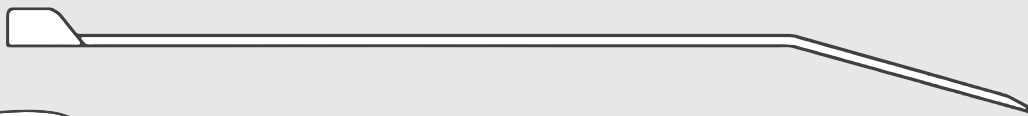
200 Length



250 Length



300 Length





LOCKWELL[™]

INDUSTRIES

ABOUT US

Lockwell Industries is a manufacturer & supplier of nylon cable ties and PG glands offering a comprehensive range of high quality nylon cable ties with best in class tensile strength and endurance. Our cable ties perform very well under varying weather conditions.

Lockwell Industries is a dynamic and progressive family owned company, providing customers with quality products and innovative solutions. We at Lockwell Industries, have an active in-house quality control department, which constantly monitors the strength and functionality of our cable ties and accessories. Many other such testing procedures are carried out on a daily basis on our products at all our manufacturing facilities so as to ensure the highest quality cable ties and accessories reach our customers. Approved and verified by all the required quality approval certifications we run our operations efficiently & effectively.

Lockwell Industries stand for excellence in quality, design and strength and we aim to achieve a benchmark in the same for years to come by striving for transparency and honesty in all our actions and corporate relations.

NYLON CABLE TIES

Technical Specification :

Material : Nylon 66

Temperature Range : -10 °C TO 85 °C

UL Flammability : 94V.2



VALUE SERIES

CODE	ACTUAL SIZE	LENGTH (MM)	WIDTH (MM)	THICKNESS (MM)	TENSILE STRENGTH	BUNDLE DIAMETER
LW10018	100 X 1.8	100	1.8	1	8KGF/18LBS	20 MM
LW10022	100 X 2.2	100	2.2	1.05	8KGF/18LBS	20 MM
LW15022	150 X 2.2	150	2.2	1.1	8KGF/18LBS	35 MM
LW15025	150 X 2.5	150	2.5	1.1	8KGF/18LBS	35 MM
LW15030	150 X 3.0	150	3	1.2	8KGF/18LBS	35 MM
LW20025	200 X 2.5	200	2.5	1.05	8KGF/18LBS	45 MM
LW20030	200 X 3.0	200	3	1.2	14KGF/30LBS	45 MM
LW20040	200 X 4.0	200	4	1.25	14KGF/30LBS	45 MM
LW25030	250 X 3.0	250	3	1.2	14KGF/30LBS	60 MM
LW25040	250 X 4.0	250	4	1.3	14KGF/30LBS	60 MM
LW30030	300 X 3.0	300	3	1.2	14KGF/30LBS	80 MM
LW30040	300 X 4.0	300	4	1.3	14KGF/30LBS	80 MM

INDUSTRIAL SERIES

CODE	ACTUAL SIZE	LENGTH (MM)	WIDTH (MM)	THICKNESS (MM)	TENSILE STRENGTH	BUNDLE DIAMETER
LW10025	100 X 2.5	100	2.5	1.05	8KGF/18LBS	20 MM
LW15036	150 X 3.6	150	3.6	1.25	8KGF/18LBS	35 MM
LW20036	200 X 3.6	200	3.6	1.25	14KGF/30LBS	45 MM
LW20048	200 X 4.8	200	4.8	1.35	22.7KGF/50LBS	45 MM
LW25036	250 X 3.6	250	3.6	1.25	14KGF/30LBS	60 MM
LW25048	250 X 4.8	250	4.8	1.35	22.7KGF/50LBS	60 MM
LW30036	300 X 3.6	300	3.6	1.25	14KGF/30LBS	80 MM
LW30048	300 X 4.8	300	4.8	1.35	22.7KGF/50LBS	80 MM
LW35036	350 X 3.6	350	3.6	1.25	22.7KGF/50LBS	90 MM
LW35048	350 X 4.8	350	4.8	1.35	14KGF/30LBS	90 MM
LW40048	400 X 4.8	400	4.8	1.36	22.7KGF/50LBS	110 MM
LW45048	450 X 4.8	450	4.8	1.36	22.7KGF/50LBS	125 MM
LW50048	500 X 4.8	500	4.8	1.36	22.7KGF/50LBS	125 MM

HEAVY DUTY SERIES

CODE	ACTUAL SIZE	LENGTH (MM)	WIDTH (MM)	THICKNESS (MM)	TENSILE STRENGTH	BUNDLE DIAMETER
LW30076	300 X 7.6	300	7.6	1.35	50KGF/50LBS	45 MM
LW55090	550 X 9.0	550	9	1.6	60KGF/80LBS	160 MM
LW63090	630 X 9.0	630	9	1.6	60.7KGF/80LBS	190 MM
LW76090	760 X 9.0	760	9	1.6	70KGF/80LBS	225 MM
LW92090	920 X 9.0	920	9	1.6	80KGF/80LBS	265 MM





STAINLESS STEEL CABLE TIES

BALL LOCK TYPE UNCOATED – 4.6 mm Width, SS-316

PART CODE	WIDTH (in mm)	LENGTH (in mm)	MAXIMUM BUNDLE DIA (in mm)
LWSS10046	4.6	100	20
LWSS15046	4.6	150	35
LWSS20046	4.6	200	50
LWSS26046	4.6	260	70
LWSS30046	4.6	300	85
LWSS36046	4.6	360	100
LWSS45046	4.6	450	132
LWSS52046	4.6	520	158
LWSS68046	4.6	680	189
LWSS84046	4.6	840	260
LWSS100046	4.6	1000	310

BALL LOCK TYPE COATED – 4.6 mm Width, SS-316

PART CODE	WIDTH (in mm)	LENGTH (in mm)	MAXIMUM BUNDLE DIA (in mm)
LWSS10046C	4.6	100	20
LWSS15046C	4.6	150	35
LWSS20046C	4.6	200	50
LWSS26046C	4.6	260	70
LWSS30046C	4.6	300	85
LWSS36046C	4.6	360	100
LWSS45046C	4.6	450	132
LWSS52046C	4.6	520	158
LWSS68046C	4.6	680	189
LWSS84046C	4.6	840	260
LWSS100046C	4.6	1000	310

BALL LOCK TYPE UNCOATED – 7.9mm Width, SS-316

PART CODE	WIDTH (in mm)	LENGTH (in mm)	MAXIMUM BUNDLE DIA (in mm)
LWSS10079	7.9	100	20
LWSS15079	7.9	150	35
LWSS20079	7.9	200	50
LWSS26079	7.9	260	70
LWSS30079	7.9	300	85
LWSS36079	7.9	360	100
LWSS45079	7.9	450	132
LWSS52079	7.9	520	158
LWSS68079	7.9	680	189
LWSS84079	7.9	840	260
LWSS100079	7.9	1000	310



BALL LOCK TYPE COATED – 7.9 mm Width, SS-316

PART CODE	WIDTH (in mm)	LENGTH (in mm)	MAXIMUM BUNDLE DIA (in mm)
LWSS10079C	7.9	100	20
LWSS15079C	7.9	150	35
LWSS20079C	7.9	200	50
LWSS26079C	7.9	260	70
LWSS30079C	7.9	300	85
LWSS36079C	7.9	360	100
LWSS45079C	7.9	450	132
LWSS52079C	7.9	520	158
LWSS68079C	7.9	680	189
LWSS84079C	7.9	840	260
LWSS100079C	7.9	1000	310

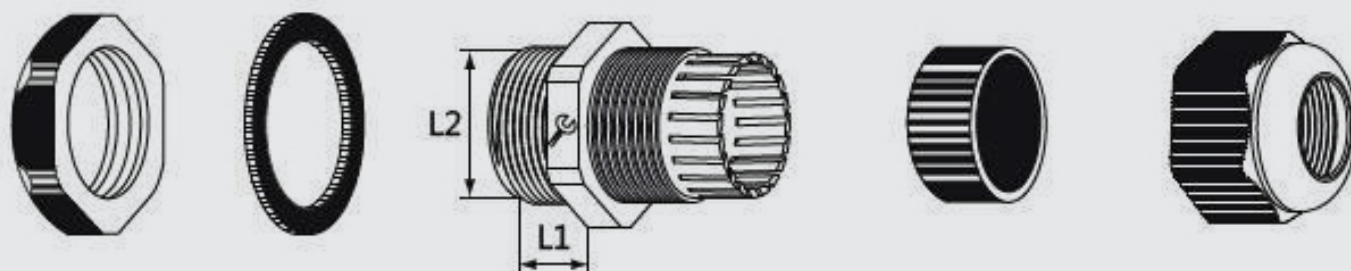


CABLE GLANDS

STANDARD TYPE PG

TECHNICAL DETAILS

Cap Nut	: Polyamide PA6 V2
Sealing ring	: TPV
Gland Body	: Polyamide PA6 V2
Connection thread	: PG (DIN 40430)
Protection class	: IP68 - 5 bar
	-30°C +80°C
	+150°C (short term)



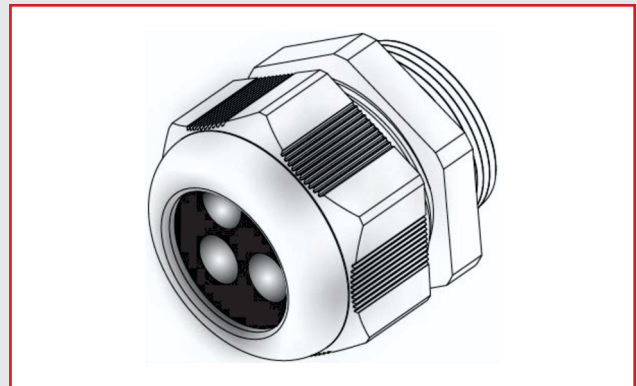
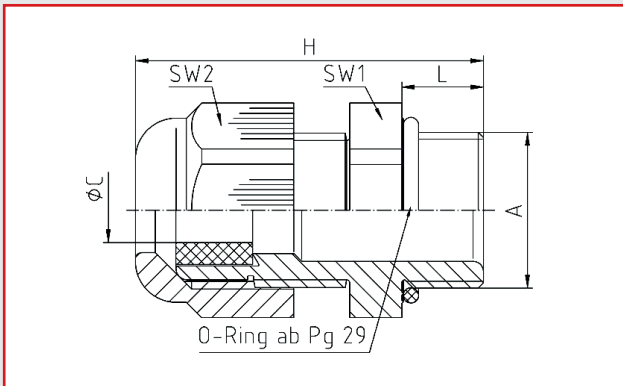
Product Code	Suitable For Cable Range O.D.	Thread O.D. mm	Thread Length mm	Spanner Length mm
LWPG07	3-6.5	12.5	8	16
LWPG09	4-8	15.2	8	19
LWPG11	5-10	18.6	8	22
LWPG13.5	6-12	20.4	9	24
LWPG16	10-14	22.5	9	27
LWPG19	12-16	24	10	27
LWPG21	13-18	28.3	11	33
LWPG25	16-21	30	11	35
LWPG29	18-25	37	12	42
LWPG36	22-32	47	13	52
LWPG42	32-40	54	13	60
LWPG48	34-44	59.3	14	64
LWPG63	42-50	71	28	68

CABLE GLANDS

STANDARD TYPE METRIC

TECHNICAL DETAILS

Cap Nut	: Polymade PA6 V2
Sealing ring	: TPV
Gland Body	: Polyamide PA6 V2
Connection thread	: Metric (EN 60423)
Protection class	: -30°C +80°C +150°C (short term)



AG Thread	Size	H mm	GL mm	Spanner Size mm	Clamping Range mm
LWM12	M12 Cable Gland with Lock Nut	24	8	15	3 - 6,5
LWM16	M16 Cable Gland with Lock Nut	28	8	19	4 - 8
LWM16	M16 Cable Gland with Lock Nut	29	10	22	5 - 10
LWM20	M20 Cable Gland with Lock Nut	29	10	24	4 - 10
LWM20	M20 Cable Gland with Lock Nut	29	10	24	6 - 12
LWM20	M20 Cable Gland with Lock Nut	33	10	27	10 - 14
LWM25	M25 Cable Gland with Lock Nut	38	10	33	13 - 18
LWM32	M32 Cable Gland with Lock Nut	41	10	42	18 - 25
LWM40	M40 Cable Gland with Lock Nut	51	10	53	22 - 32
LWM50	M50 Cable Gland with Lock Nut	53	18	60	30 - 38
LWM63	M63 Cable Gland with Lock Nut	55	18	70	34 - 44

NOTE

A series of horizontal dashed lines for writing notes.

OUR PRODUCT RANGE





LOCKWELLTM
INDUSTRIES